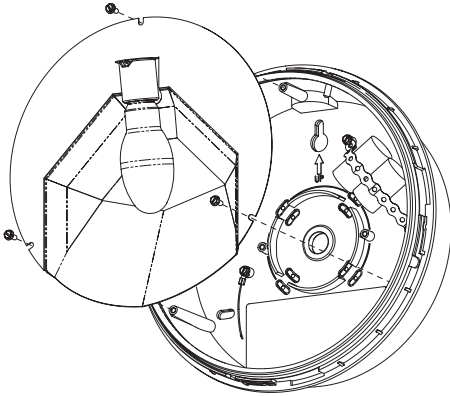


# INSTALLATION INSTRUCTIONS



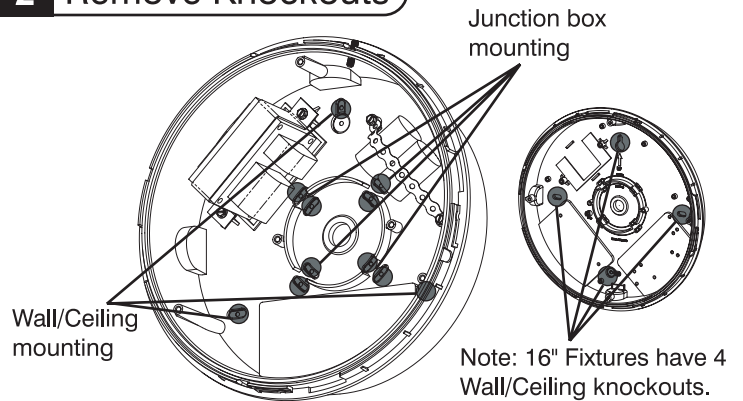
This fixture must be installed by a qualified electrician

## 1 Remove Reflector



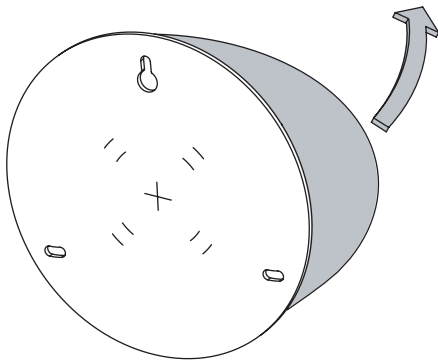
Detach reflector from housing by removing screws.

## 2 Remove Knockouts



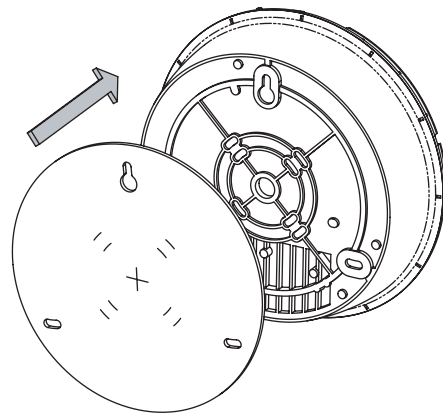
Remove appropriate knockouts.  
Always use Wall/Ceiling mounting knockouts.

## 3 Mounting gasket



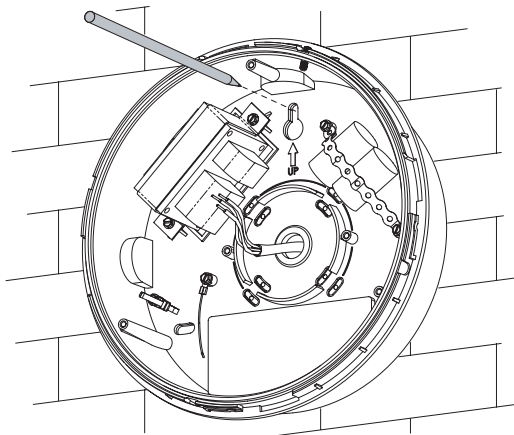
Remove backing paper from gasket.

## 4 Mounting gasket



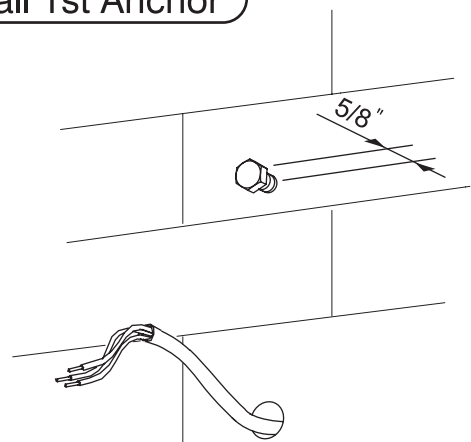
Stick gasket on back of housing.  
Ensure holes in gasket align with holes in housing.

## 5 Mark 1st Hole



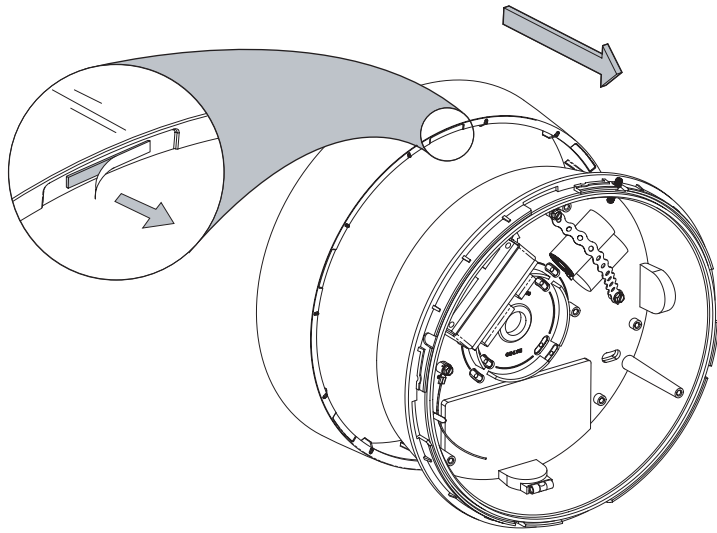
Position fixture in desired location and mark the location of the top hole.

## 6 Install 1st Anchor



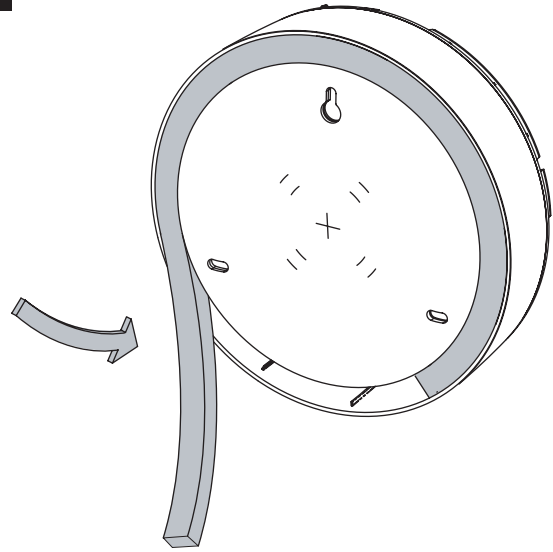
Remove housing and insert 5/16" diameter anchors (by others) into wall. Leave 5/8" of anchor shaft exposed.

### 7a Trim Ring (optional)



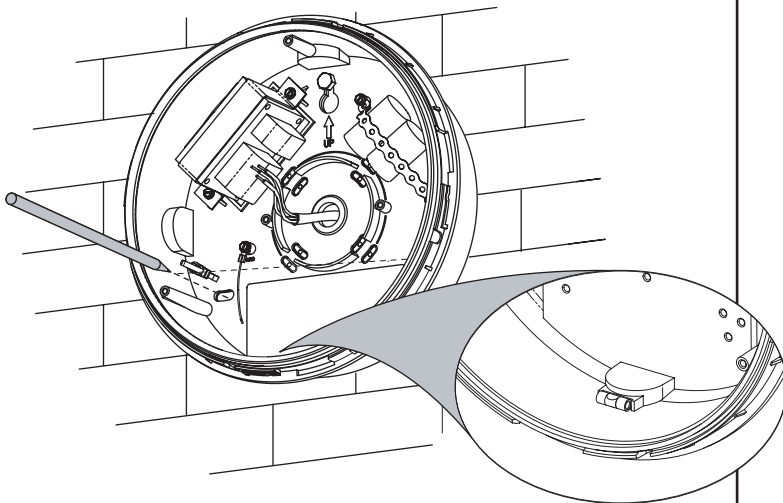
Remove backing from double sided tape.  
Attach trim ring to housing.

### 7b



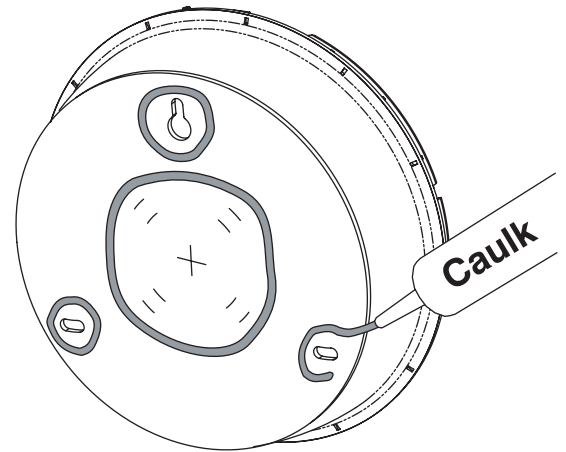
Insert Trim Ring Gasket into the rear of the fixture.

### 8 Mark Hole Positions



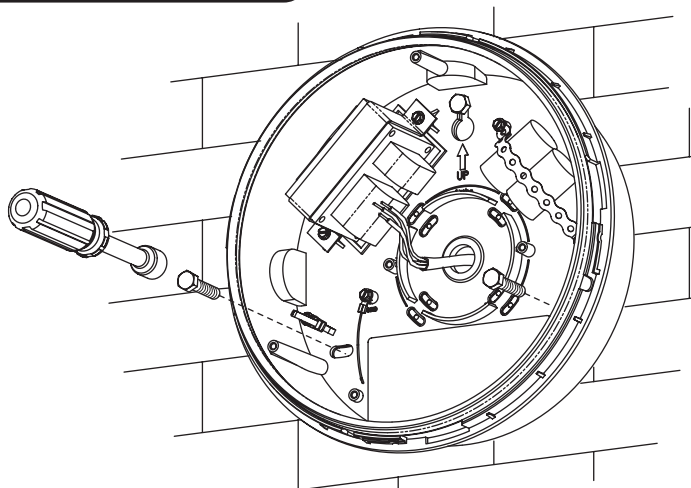
Hang housing on wall using keyhole slot. Use integral level  
to ensure fixture is level. Mark anchor locations on wall.  
Remove fixture and drill holes for remaining anchors.

### 9 Sealing



Apply silicone caulk to back of mounting gasket between  
wall and housing.

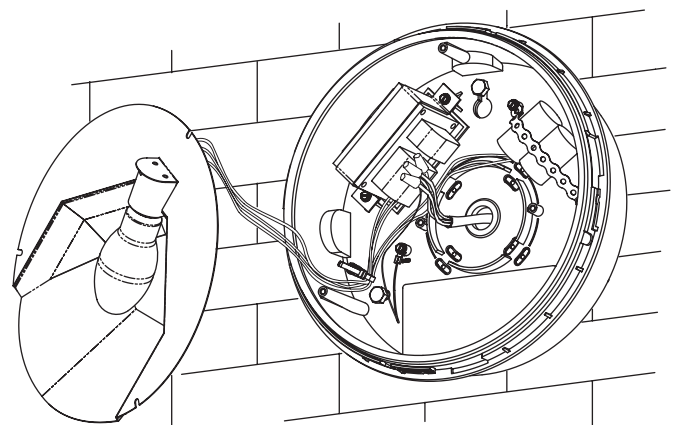
### 10 Insert Anchors



Hang housing on exposed anchor. Securely attach housing to  
wall using appropriate anchors.  
Before tightening anchors ensure housing is level.

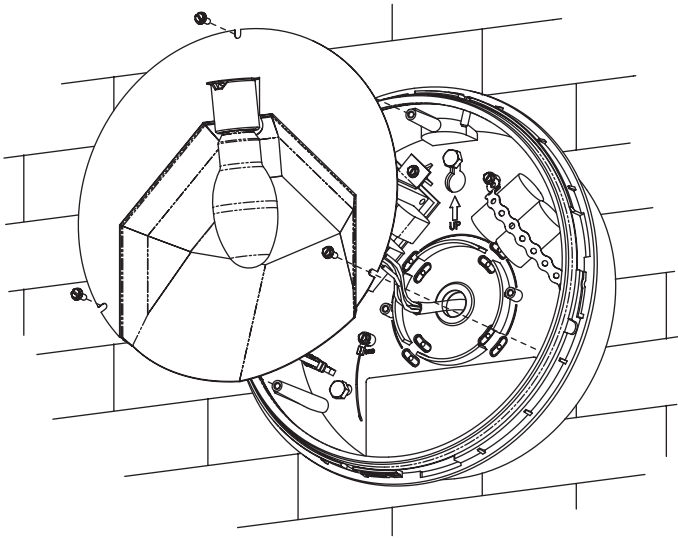
### 11 Connect Wires

Note: If installing HID refer to separate instruction sheet (if enclosed)



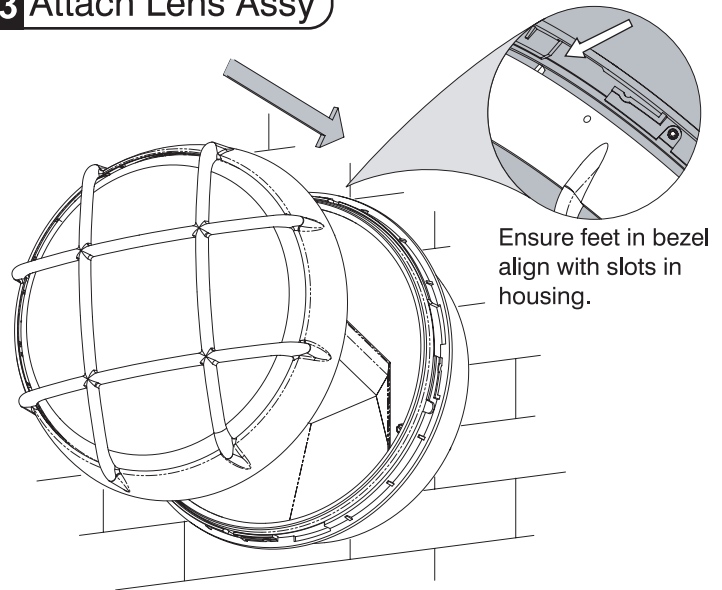
Connect supply ground, select proper voltage and make wire  
connections. Note: This fixture must be properly fused and wired  
in accordance with all electrical and safety codes and ordinances,  
as well as the most recent National Electric Code.

## 12 Attach Reflector



Reattach reflector. (Do not over tighten screws)

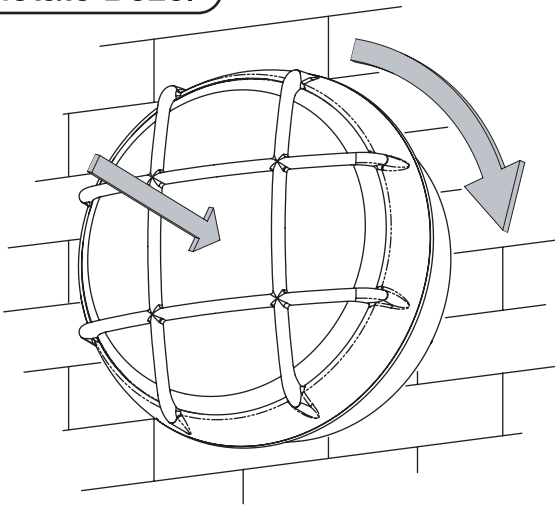
## 13 Attach Lens Assy



Ensure feet in bezel align with slots in housing.

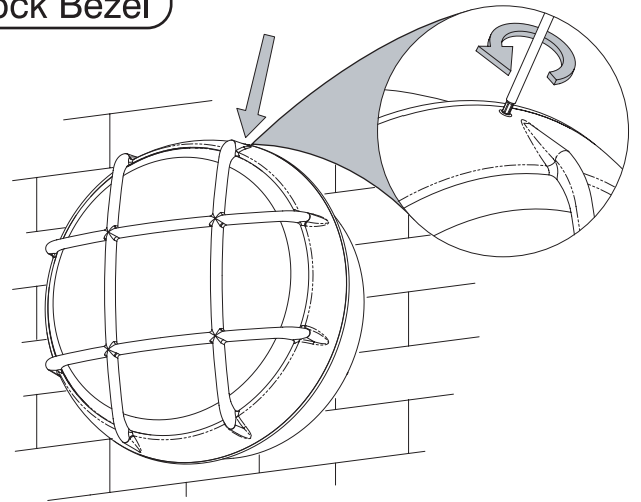
Position bezel with lock hole in 1 o'clock position .

## 14 Rotate Bezel



Apply pressure to lens and rotate bezel clockwise 15 degrees

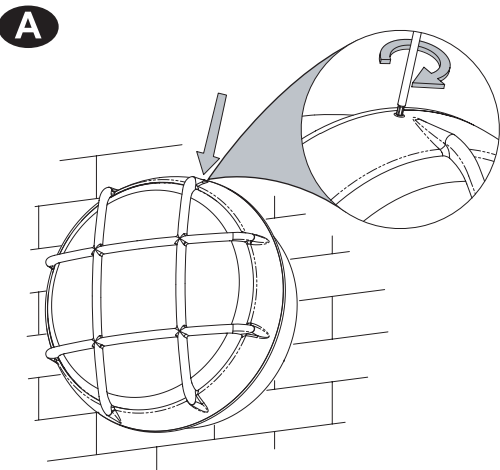
## 15 Lock Bezel



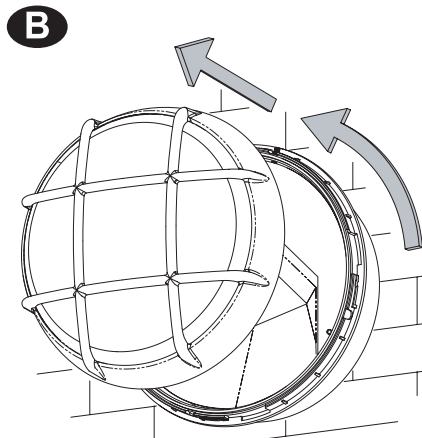
Turn T15 Center Pin Torx screw counter clockwise until it stops. Screw head should stick out 1/8" past bezel.

## Relamping

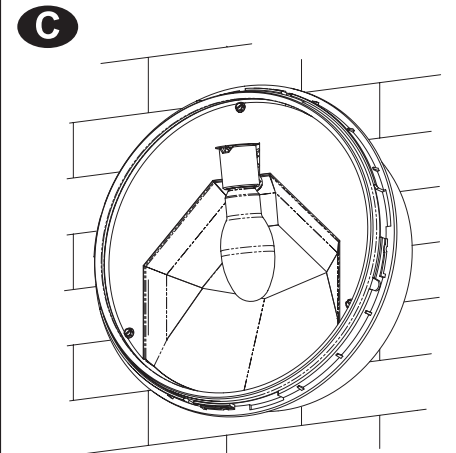
**CAUTION:** Disconnect Power Before Lamping or Servicing.



Turn #15 Center Pin Torx screw clockwise until it clears bezel.



Twist bezel counter-clockwise approx 15 degrees to unlock and remove.



Replace lamp. To reattach lens follow steps 13 thru 15.

**Ballast Access:** To access ballast, remove reflector assembly.

**Read instructions carefully before attempting to install fixture.  
Retain instructions for future reference.**

**GENERAL SAFETY INFORMATION**

**WARNING: Do not handle an energized fixture or energize any fixture with wet hands or when standing on a wet or damp surface, or in water.**

External parts of fixture develop high operating temperatures. To avoid possible pain or injury, do not touch external parts of fixture when it is in operation. Turn off power and allow fixture to cool before touching for any reason.

1. This fixture must be properly fused and wired in accordance with all electrical and safety codes and ordinances, as well as the most recent National Electric Code.
2. This fixture must be adequately grounded for your protection against shock hazards and to assure proper operation.
3. All wiring should be performed by a qualified licensed electrician.
4. Make certain that the power source conforms to the requirements of this fixture.
5. Disconnect power before installing or servicing. If the power disconnect switch is out of sight, lock it in the open position and tag it to prevent unexpected application of power.
6. This fixture is intended to be used for general lighting in a normal open-air ambient. Do not install in dead air, sheltered, buried or boxed-in locations. This fixture should not be installed in areas that will entrap heat. It is not intended to be used in potentially dangerous locations such as flammable or explosive atmospheres. Not for use in car washes.
7. Failure to follow above safety instructions could result in fatal shock or fire hazards.
8. This fixture is intended for wall and ceiling mounting.

**INSTALLATION**

**WARNING:** Make sure that all power is turned off while installing unit. Do not turn power on until fixture is completely installed. Turn power off at circuit breaker box.

**Operation**

Switch unit "on" using circuit breaker controlling unit.

**Maintenance**

Periodically check and remove any accumulated dirt or debris from the lens and around fixture.

**Troubleshooting Guide**

Symptoms	Possible Cause(s)	Corrective Action
Lamp does not light	1. No power to unit.  2. Loose lamp connection  3. Burned out lamp  4. Loose wiring	1. Check circuit protection device (circuit breaker, fuse or switch).  2. Remove lamp, clean contacts and tighten in socket.  3. Replace  4. Recheck wiring connections

**with power off**

**LIMITED LIFETIME WARRANTY**

Stonco/Exceline will replace or repair the following SurviVR/ProTector Series parts in the event of damage due solely to intentional vandalism: Polycarbonate Lens, Polycarbonate Face, Polycarbonate Trim Ring. The warranty does not cover any other conditions that may cause damage such as, but not limited to, Acts of War, Acts of God or misapplication or improper installation. The lifetime warranty does not cover peeling or fading finishes due to weathering and environmental conditions. The warranty excludes destruction by fire, acid, paint or gunfire. Yellowing of lenses due to heat or radiation are also excluded. Lamps and ballasts are covered under a separate warranty issued by the appropriate manufacturer. Product must be properly installed by a qualified electrician according to the instructions included with this product. This warranty does not include labor, shipping or handling. Stonco/Exceline's entire liability on any claim of loss or damage resulting from defect is limited to the replacement cost of the product. Owner must provide proof of purchase and may be required to ship complete fixture back to Stonco/Exceline for evaluation.

Send all inquiries to:  
Stonco/Exceline Warranty Department  
2345 Vauxhall Road  
Union, New Jersey 07083

**Note: When installed per these instructions, this fixture carries a limited lifetime warranty against damage from vandal attacks. Per the instructions, the fixture must be mounted by all three mounting points on the 13" fixtures and 4 mounting points on the 16" fixtures for this warranty to be honored.**