

CATALOG NO. _____

TYPE NO. _____

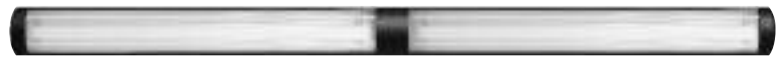
JOB NAME _____

11-14

Survi'VR V Series Vandal-Resistant Luminaire (8' Linear Fluorescent)



11" Wide Model



7" Narrow Model

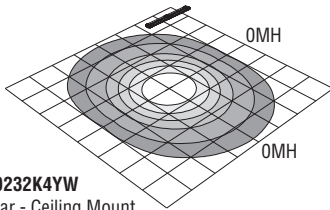
ORDERING INFORMATION

Catalog Number: Example: SVWTC4541SGYBF

S								
SERIES	STYLE	LENS	LAMPS	WATTAGE	VOLTAGE	BALLAST SOURCE	COLOR	OPTIONS
S Survi'VR Series Vandal Resistant	VNT- Narrow Tandem (7") VWT- Wide Tandem (11")	O- Opal Poly C- Clear Poly	2- Narrow (7") 3- Wide (11") 4- Wide (11")	28- 28W T5 32- 32W T8 54- 54W T5HO	1- 120V 7- 277V B- 120-277V	See Ballast Matrix Below	B- Black W- White P- Bronze	F- Fused Battery Back-Up Consult Factory

PHOTOMETRIC DATA

Mounting Height = 12 ft.
Gridscale = 12 ft. per increment



SVNT0232K4YW
8' Linear - Ceiling Mount
4-32w T8 fluorescent

Horizontal Footcandles
Lumen/Lamp = 2,850
Light Loss Factor = 1.00

.1 FT-C	.2 FT-C	.5 FT-C	1 FT-C	2 FT-C	5 FT-C
---------	---------	---------	--------	--------	--------

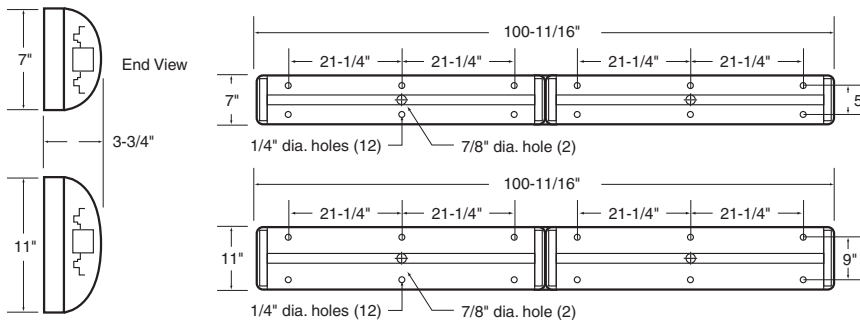
BALLAST MATRIX

# Lamps	Wattage	Source	Ballast
2	28w	T5	N8Y
	32w	T8	K4Y
	54w	T5HO	S4Y
3	28w	T5	NHY
	32w	T8	KFY
	54w	T5HO	SFY
4	28w	T5	NXY
	32w	T8	KGY
	54w	T5HO	SGY

PRODUCT SPECIFICATIONS

- Marine-grade, extruded aluminum housing
- Tamper-resistant stainless steel hardware
- Architectural die-cast end caps
- Polyester powder, semi-gloss textured finish
- Standard color is white
- Fade-resistant color (custom colors available – consult factory)
- High-Efficiency T5, T5HO and T8 lamping
- Exceptionally high fixture efficiency
- 91.7% maintained lumens with high CRI of 85
- Extruded impact-resistant polycarbonate lens
- Delivers uniform illumination without glare
- Lens available in clear prismatic and opal prismatic
- Immediate hot re-strike
- Greater uniformity and instant-on capability
- No color shift
- Field drilling not required
- "LifeLyte" limited lifetime warranty
- UL/CUL listed for wet locations

TECHNICAL INFORMATION



UL Damp Location Listed.
UL File Number: E86021