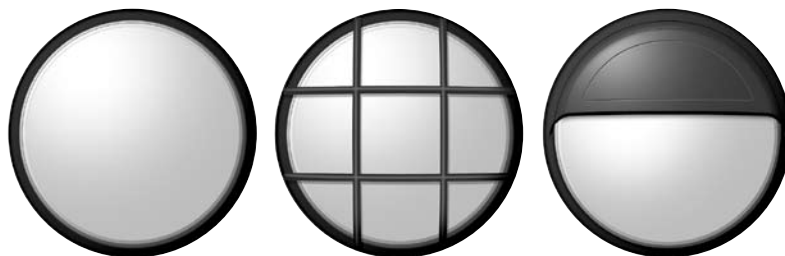


# Survi'VR Series

## Vandal-Resistant Luminaire

### (16" Round Shallow Wall Mount)



### ORDERING INFORMATION

Catalog Number: Example: SR6SW50LXFB8GCB

S	R	6	S	W	50	LX	F	B	8	G	C	B
<b>Series</b> S= Survi'VR	<b>Shape</b> R= Round	<b>Size</b> 6=16"	<b>Depth</b> S= Shallow	<b>Mounting</b> W=Wall	<b>Wattage</b> 50=50 126=1x26 132=1x32 142=1x42 226=2x26 232=2x32 242=2x42 326=3x26	<b>Source</b> LX=HPS PM=PS MH NX=HPS (NPF) <sup>1</sup> HF=Compact Fluorescent (HPF)	<b>Options</b> L=Lamped E=Emergency (1 or 2) 26w (1) 32w (1) 42w (2) 18w U=UV Shield <sup>2</sup> Q=Quartz Aux F=Fusing T=Thru Wiring <sup>3</sup> PC=Photo Control <sup>3</sup>	<b>Base Color*</b> B=Black W=White P=Bronze	<b>Voltage</b> 1=120 8=120-277	<b>Style</b> B=Open Bezel G=Grid E=Closed Eyelid	<b>Lens</b> O=Opal C=Clear A=Acrylic <sup>4,5</sup>	<b>Face Color</b> B=Black W=White P=Bronze

<sup>1</sup> 120V only.

<sup>2</sup> For MH lamps only.

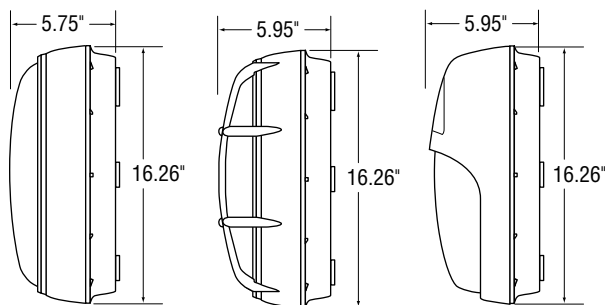
<sup>3</sup> Unavailable with trim rings.

<sup>4</sup> Available in reduced wattages (50w max. MH/HPS). Consult factory.

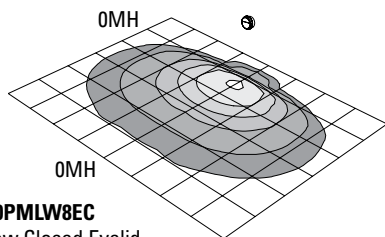
<sup>5</sup> Not recommended for use in high-abuse areas.

\*Custom colors available. Consult factory.

### TECHNICAL INFORMATION



**Mounting Height** = 10 ft.  
**Gridscale** = 10 ft. per increment



**SR6SW70PMLW8EC**  
16" Shallow Closed Eyelid  
70w metal halide

Horizontal Footcandles  
Lumen/Lamp = 4,750  
Light Loss Factor = 1.00



.1 FT-C	.2 FT-C	.5 FT-C	1 FT-C	2 FT-C	5 FT-C
---------	---------	---------	--------	--------	--------

- Precision die-cast 360 alloy marine-grade aluminum back plate with cast-in mounting knock-outs.
- Finished in Duraplex II polyester powder coat.
- One-piece injection molded and UV-stabilized polycarbonate face with snap-in, interlocking lens provision.
- Color molded into the polycarbonate face for durable, scratch-resistant finish.
- Locking recessed set screw at the 1:00 o'clock position is unobtrusive, securely locking the face and lens to the cast housing.
- Die-cut neoprene rubber gasket provides added protection against elements between back casting and mounting surface.
- Silicone rubber gasket seals optics/face styles to outer rim of back casting. Also acts as a shock absorber providing additional support against breakage.
- HID units equipped with magnetic ballasts.
- Compact Fluorescent units equipped with an electronic HPF ballast with 120-277 voltage sensing capability.
- Lens is a one-piece, injection-molded, UV-stabilized polycarbonate.
- Internal prisms re-direct the light minimizing hot spots and maximizing uniformity.
- Available in either clear prismatic or opal prismatic polycarbonate.
- Twist and seal construction locks the lens and face onto the back casting.
- Extruded silicone gasket provides a tight weather-resistant seal. Unique "Shock and Seal" design provides a cushion that supports/seals the lens against the elements and also acts as a shock absorber to help reduce damage from impact to the unit face.
- HID units equipped with a precision die-form segmented reflector.
- Compact Fluorescent units equipped with a high reflectance white pan reflector system.
- Wall-mounted units equipped with additional kick plates to direct the light down and out into a Type III pattern with a minimum 4:1 spacing ratio.
- UL listed for wet locations.