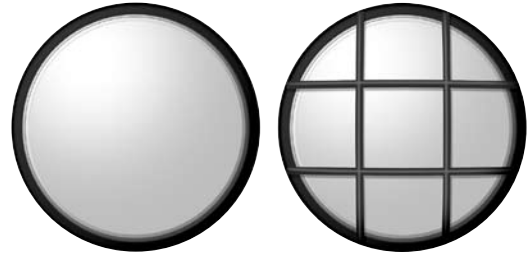


# Survi'VR Series Vandal-Resistant Luminaire (16" Round Deep Ceiling Mount)



## ORDERING INFORMATION

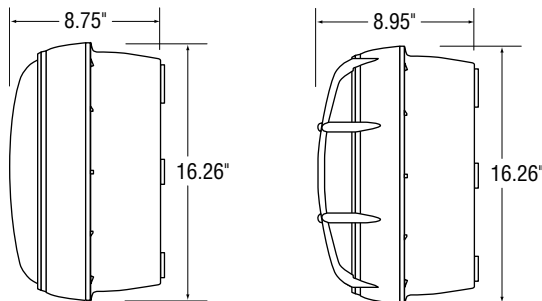
Catalog Number: Example: SR6DC70LXFB8GCB

<b>S</b>	<b>R</b>	<b>6</b>	<b>D</b>	<b>C</b>	<b>70</b>	<b>LX</b>	<b>F</b>	<b>B</b>	<b>8</b>	<b>G</b>	<b>C</b>	<b>B</b>
<b>Series</b> S= Survi'VR	<b>Shape</b> R= Round	<b>Size</b> 6=16"	<b>Depth</b> D=Deep	<b>Mounting</b> C=Ceiling	<b>Wattage</b> 70=70 100=100 150=150 <sup>1,2</sup> 226=2x26 232=2x32 242=2x42 326=3x26 332=3x32 342=3x42	<b>Source</b> LX=HPS PM=PS MH NX=HPS (NPF) <sup>3</sup> HF=Compact Fluorescent (HPF)	<b>Options</b> L=Lamped E=Emergency (1 or 2) 26w (1) 32w (1) 42w (2) 18w U=UV Shield <sup>4</sup> Q=Quartz Aux F=Fusing T=Thru Wiring <sup>2</sup> PC=Photo Control <sup>2</sup>	<b>Base Color*</b> B=Black W=White P=Bronze	<b>Voltage</b> 1=120 5=480 8=120-277	<b>Style</b> B=Open Bezel G=Grid	<b>Lens</b> O=Opal C=Clear A=Acrylic <sup>5,6</sup>	<b>Face Color</b> B=Black W=White P=Bronze

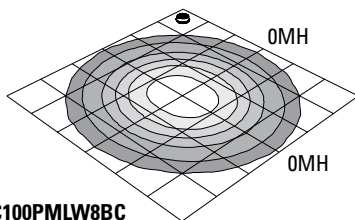
<sup>1</sup> 150 watt models are not available with a PM lamp source.  
<sup>2</sup> Unavailable with trim rings.  
<sup>3</sup> 120V only.  
<sup>4</sup> For MH lamps only.  
<sup>5</sup> Available in reduced wattages (100w max. MH/HPS). Consult factory.  
<sup>6</sup> Not recommended for use in high-abuse areas.

\*Custom colors available. Consult factory.

## TECHNICAL INFORMATION

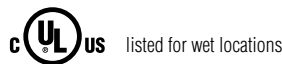


**Mounting Height** = 12 ft.  
**Gridscale** = 12 ft. per increment



**SR6DC100PMLW8BC**  
 16" Deep Open Bezel  
 100w metal halide

Horizontal Footcandles  
 Lumen/Lamp = 7,600  
 Light Loss Factor = 1.00



.1 FT-C	.2 FT-C	.5 FT-C	1 FT-C	2 FT-C	5 FT-C
---------	---------	---------	--------	--------	--------

- Precision die-cast 360 alloy marine-grade aluminum back plate with cast-in mounting knock-outs.
- Finished in Duraplex II polyester powder coat.
- One-piece injection molded and UV-stabilized polycarbonate face with snap-in, interlocking lens provision.
- Color molded into the polycarbonate face for durable, scratch-resistant finish.
- Locking recessed set screw at the 1:00 o'clock position is unobtrusive, securely locking the face and lens to the cast housing.
- Die-cut neoprene rubber gasket provides added protection against elements between back casting and mounting surface.
- Silicone rubber gasket seals optics/face styles to outer rim of back casting. Also acts as a shock absorber providing additional support against breakage.
- HID units equipped with magnetic ballasts.
- Compact Fluorescent units equipped with an electronic HPF ballast with 120-277 voltage sensing capability.
- Lens is a one-piece, injection-molded, UV-stabilized polycarbonate.
- Internal prisms re-direct the light minimizing hot spots and maximizing uniformity.
- Available in either clear prismatic or opal prismatic polycarbonate.
- Twist and seal construction locks the lens and face onto the back casting.
- Extruded silicone gasket provides a tight weather-resistant seal. Unique "Shock and Seal" design provides a cushion that supports/seals the lens against the elements and also acts as a shock absorber to help reduce damage from impact to the unit face.
- HID units equipped with a precision die-form segmented reflector.
- Compact Fluorescent units equipped with a high reflectance white pan reflector system.
- Ceiling units have a symmetric Type V distribution.
- UL listed for wet locations.